

OLIVE INSPECTION & DRYING TABLE



Read and understand all of the instructions and safety information in this manual before operating this product.



Yellow triangle with exclamation mark indicates potential minor injury to personnel or damage to equipment



Yellow triangle with lightning bolt indicates possible electric shock hazard

This manual provides user instructions in the installation, operation, and maintenance of Olive Inspection & Drying Table manufactured by Olive Health Care.

User Attention: All employees who will use the Olive Inspection & Drying Table must be briefed in its proper use and operation before using it. All employees who will utilise the Olive Inspection & Drying Table should be aware that reasonable precautions must be taken to ensure patient safety and the table's optimal performance

Intended Use Notice: This product is designed for healthcare workers to utilise in order to visually inspect and dry flexible endoscopes used in the treatment of gastrointestinal patients.

This product should only be used for the purpose for which it was created. Using this device in a way that is not recommended by Olive Health Care may void the equipment manufacturer's warranty. Olive Health Care disclaims all responsibility for the effects of using this product for purposes other than those for which it was intended. Misuse or alteration of a product can be dangerous. Olive Health Care disclaims all obligation for the results of product modifications, as well as the repercussions of using this product in combination with other products.



WARNING- INJURY HAZARD

Use of unqualified persons may lead to injury to personnel and/or damage to equipment. Personnel using the Olive Inspection & Drying Table must be educated on best practices, use, and maintenance of the product to avoid injury or damage. Repair and adjustments should be attempted by persons qualified as representatives of the manufacturer



WARNING- ELECTRIC SHOCK HAZARD

Contact with live wire is possible. Ensure to switch off power supply before undertaking any repairs/inspection. Get in touch with Olive Health Care service team for repairs and electrical works.

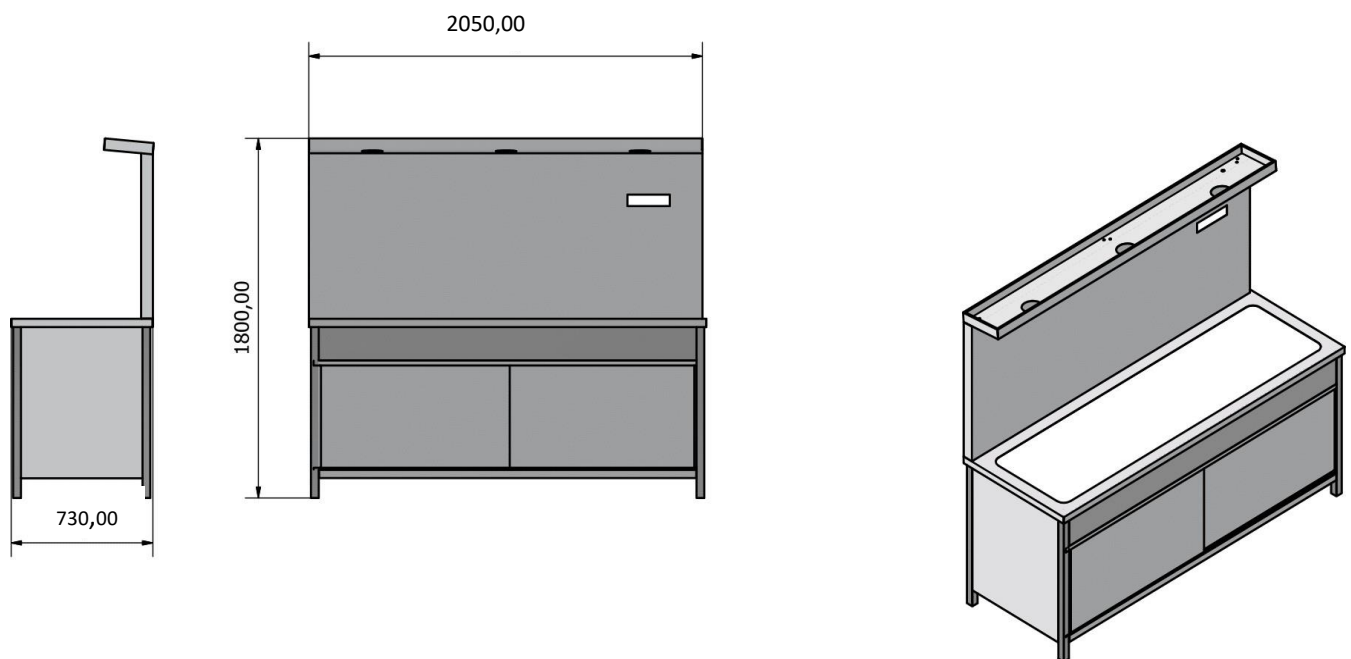
GENERAL SPECIFICATIONS

Design: Olive Inspection & Drying Table is ergonomically designed for optimum utilisation of space

Power Cord: 220V AC 6 Amps

Dimensions & Features:

Standard (Recommended) size: 2050 X 730 X 1800
Small Size: 1370 X 730 X 1800
X-Ray Type white illumination Table offers the best surface for observation of the endoscopes after every wash.
10X Magnification lens for inspection
304 Stainless Steel construction
Rounded edges safety as well as ease of maintenance



LIST OF PARTS

Item Name	Model No.	No. of units
Illumination Sheet	OITAIL01	1
LED lights	OITLEDL	-
Standard table	OITLEDL03	3
Small Table	OITLED02	2
10x magnifying lens	OITP10XML01	1
Airgun with tube	OITPAGT01	1
Switch	OITPS03	3
Air-body connector	OITPABC01	1
Air Tube	OITPET01	1
Underbody shelf	OITSSUS	1
Door	OITSSD02	2
Door Handle	OITSSDH02	2
Back Frame 1	OITSSBS01	1
Back Frame 2	OITSSBSA02	2
Boot	OITPB04	4
Wiring Set	OITPWS01	1 set
Nut and Bolt (body & back frame)	OITSSNB02	1 sets

INSTALLATION

Place the Olive Inspection & Drying Table in a separate clean and secure location close to the procedure room.

IMPORTANT: Clean and thoroughly disinfect the table prior to its first use. Then afterwards follow a regular schedule for cleaning and disinfecting the table.

OPERATION AND BEST PRACTICES

CAUTION: The user is responsible for thoroughly cleaning, leak testing, and disinfecting the used endoscopes BEFORE placing it on the Olive Inspection & Drying Table. Follow your institution's cleaning and disinfection procedures.

IMPORTANT: To obtain the maximum benefit of the table, certain procedures must be followed:

1. Do NOT coil the insertion tube and umbilical cord of the endoscope when placing on the Inspection & Drying Table.
2. Utilize the in-built lights provided on the scope to thoroughly inspect the scopes visually.
3. Use 10X lens magnification to inspect dirt/debris on the endoscope
4. Use air gun to dry surface and channels of the endoscope before transporting to the storage area.
5. Clean and disinfect the table thoroughly on a regular cleaning protocol, or when the table becomes soiled.

CLEANING, DISINFECTION & CARE

Cleaning the Inspection & Drying Table

1. Remove dirt, blood, and other organic soil.
2. Always clean the table prior to disinfection to avoid compromising the disinfectant's effectiveness.
3. Dust first, then remove any stubborn deposits with a damp sponge.
4. Using a soft cloth, clean with a non-abrasive, neutral liquid detergent at a 10-20% solution. Use a stronger concentration in the presence of excessive dirt.
5. Lightly rinse before disinfection, being careful to minimize moisture on the table
6. Avoid using bleach for cleaning or disinfecting the stainless steel surface, as bleach causes permanent damage through oxidation and staining.
7. Do not use abrasives, such as steel wool, wire brushes or scrapers on the surface.

Disinfecting the Inspection & Drying Table

It is recommended to use quaternary ammonium compounds for regular disinfecting of stainless steel surfaces. Follow the medical facility's direction for the proper concentration and use.

This low-level disinfectant comes highly recommended for general housekeeping of medical equipment and other non-critical items.

Quaternary ammonium compounds are bactericidal, fungicidal, and virucidal against lipophilic (enveloped) viruses.

At hospital-strength concentration, quaternary ammonium compounds can destroy HIV, hepatitis B and C, influenza, and more.

Ensure maximum effectiveness by adhering to the disinfectant manufacturer's recommended contact time.

Care of Inspection & Drying X-ray Type white surface

CAUTION: Do NOT use abrasive materials to clean the X-ray white type table top. Use mild detergent water and lint-free cloth/sponge to wipe the surface.



Instruction & Operating Manual

1 YEAR WARRANTY

Olive Health Care warrants to the original purchaser of the Olive Inspection & Drying Table that defective products/components shall be repaired/replaced by Olive Health care, so long as owned by the original purchases with limitations set forth as under:

The customer must obtain a return authorization supplied by the customer service team of Olive Health Care. The product must be returned adequately packed so as to avoid damages during transit, with copy of original sales receipt and copy of the RMA authorization

The customer must pay freight charges to and from Olive Health Care manufacturing unit. Olive Health Care does not warrant any damage charges caused during transit. Customer shall be responsible for detailed inspection before signing the BOL

This warranty shall not apply to product(s)/components that have been subject to misuse, negligence, modification, alteration, lack of routine maintenance and/or misapplication, or products damaged due to servicing other than Olive Health Care representatives

This warranty shall not apply to components or parts not manufactured by Olive Health Care. Olive Health Care will pass on the original manufacturer's warranty to the original purchaser. Please consult the service team for warranty details of such components.

UNLESS EXPRESSLY SET FORTH, THERE SHALL BE NO OTHER WARRANTIES, WHETHER EXPRESS OR IMPLIED, OF FITNESS AND/OR MERCHNATABILITY OR ANY OTHER WARRANTIES IMPLIED BY CUTOM,USAGE OR COURSE OF DEALING

Olive Health Care's liability in this agreement is limited to repair/ replacement of any product or component purchased by the original purchaser. Olive Health Care disclaims responsibility for any incidental or consequential damages claimed to have arisen from any defect in workmanship or materials. No representative of Olive Health Care has the authority to change or enlarge the above warranty agreement.

For further support,
Contact customer support team:
support@oliveendoscopy.com
Landline: 0484 403 8810